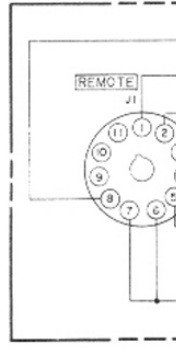
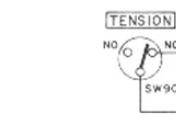
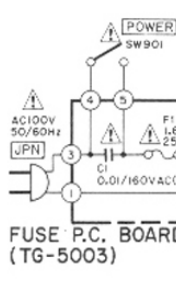
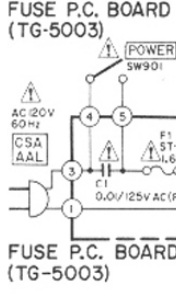
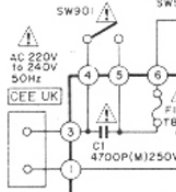
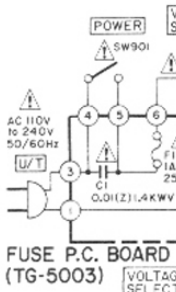
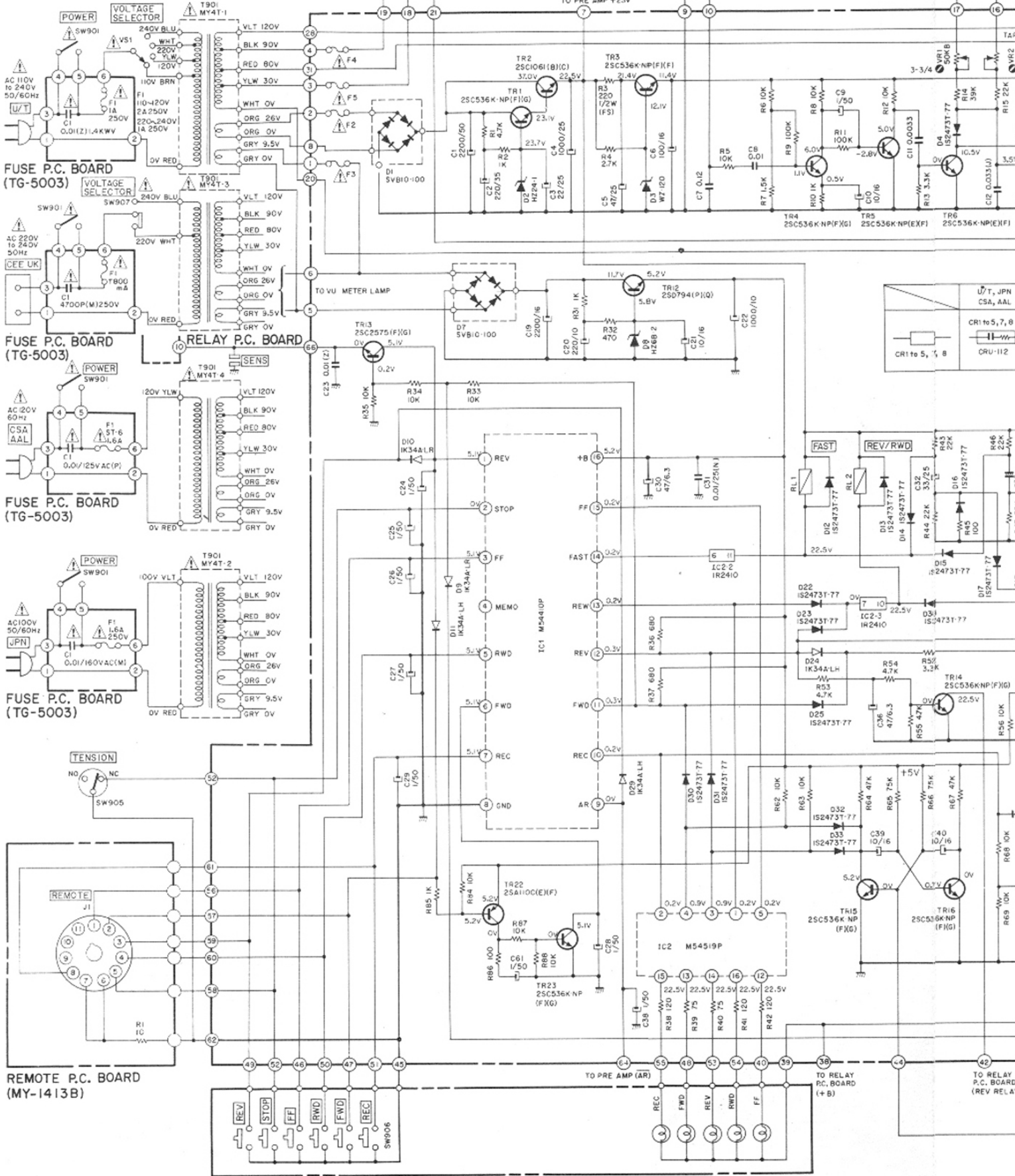
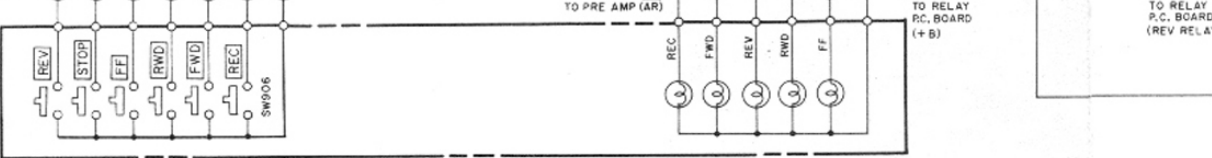


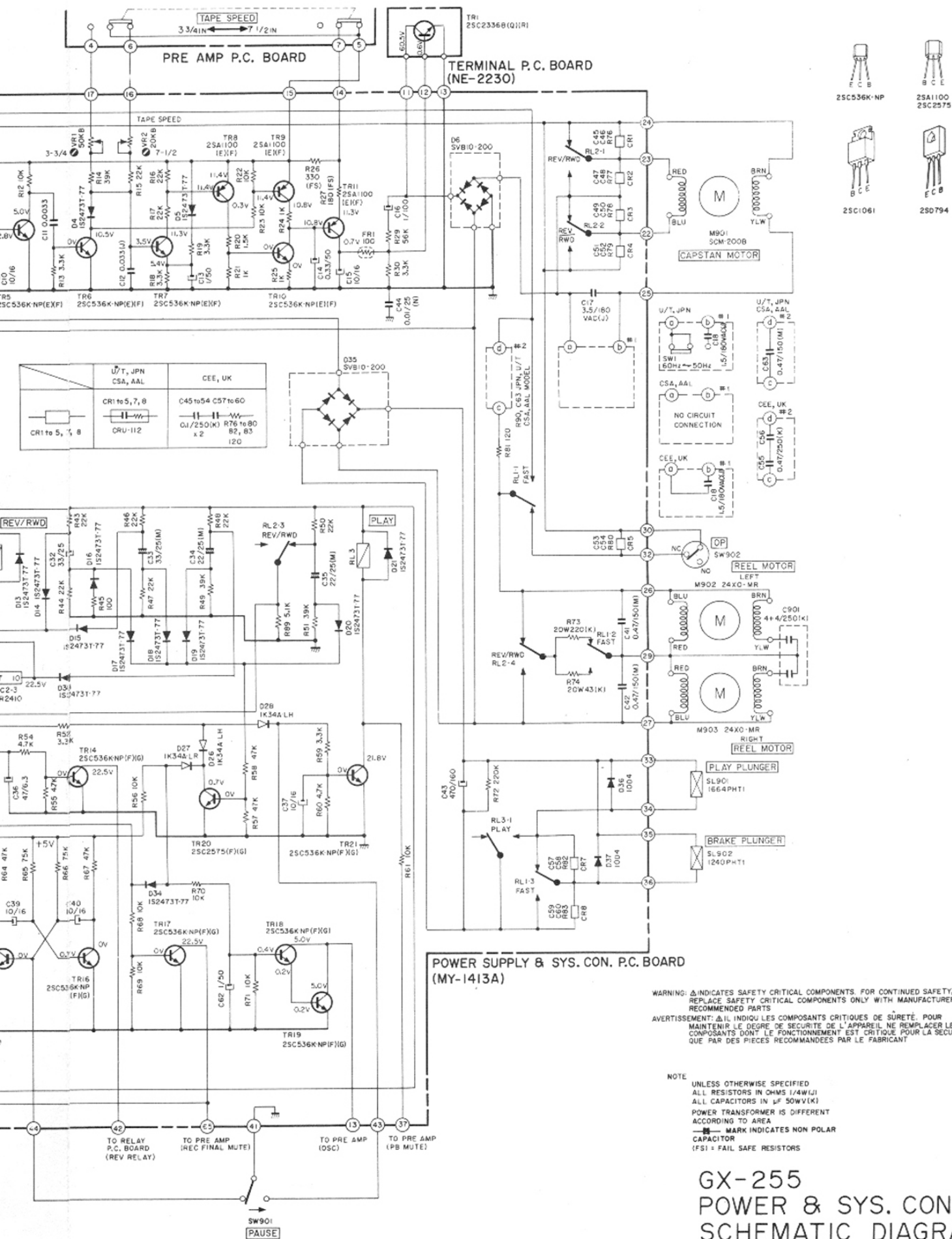
GX-255

	U/T, JPN	CSA, AAL	CEE, UK
F2	1A 250V	ST-6 1A	T 1A
F3	1A 250V	ST-6 1A	T 1A
F4	1A 250V	ST-6 1A	T630mA
F5	0.5A 250V	ST-6 0.5A	T500mA



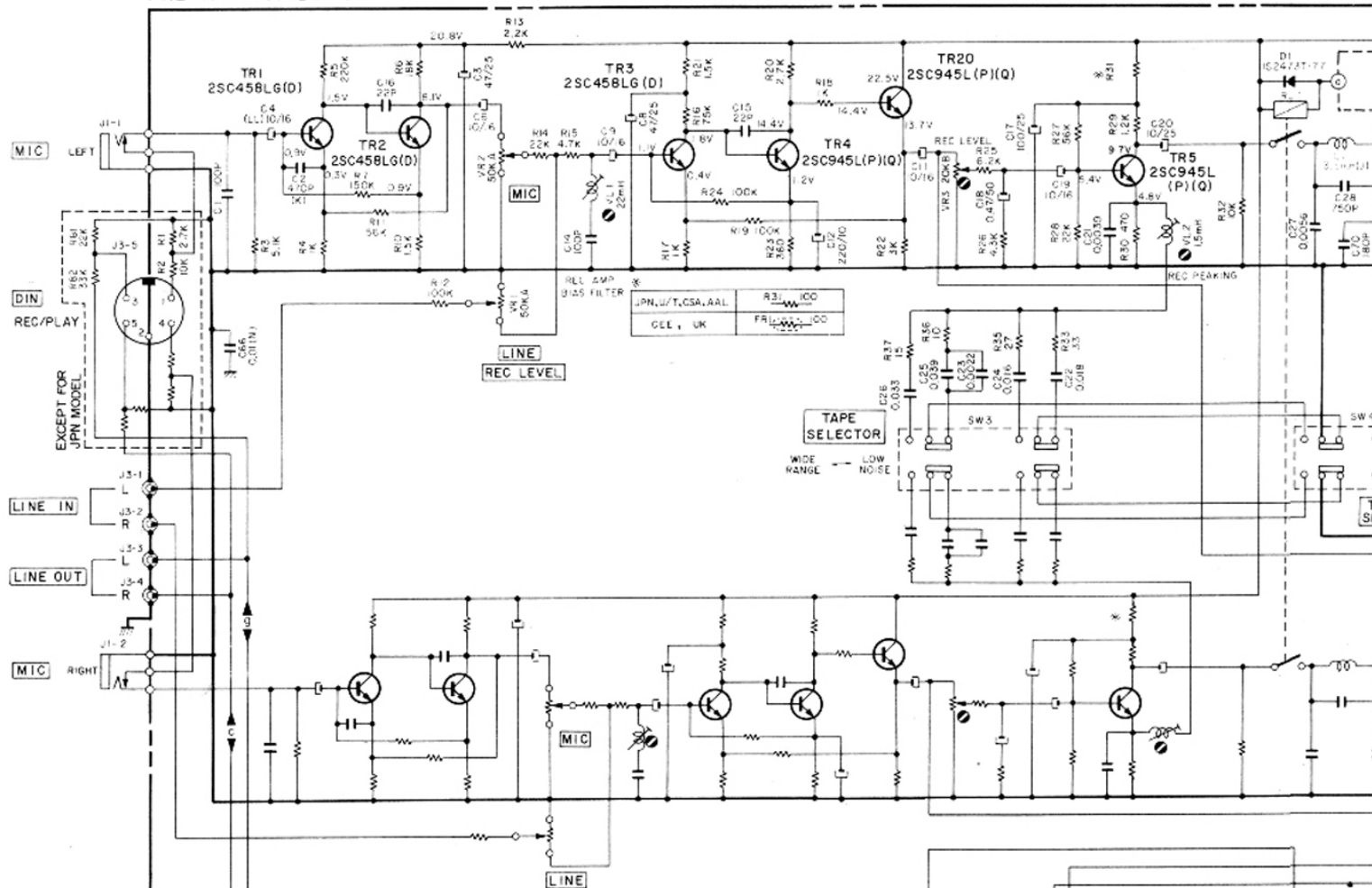
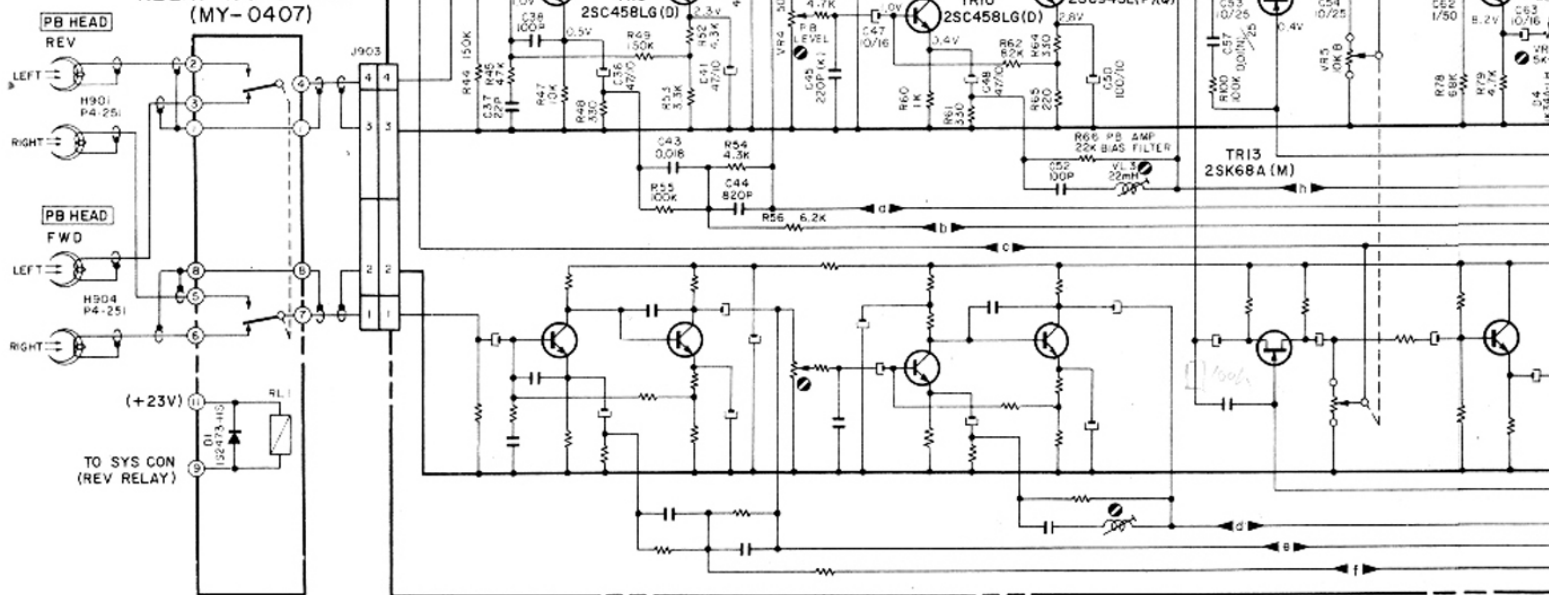
OPERATION BLK





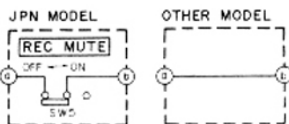
GX-255  
POWER & SYS. CON  
SCHEMATIC DIAGRAM  
No. 2-1 1582212A

## PRE AMP P.C BOARD

RELAY P.C BOARD  
(MY-0407)

NOTE

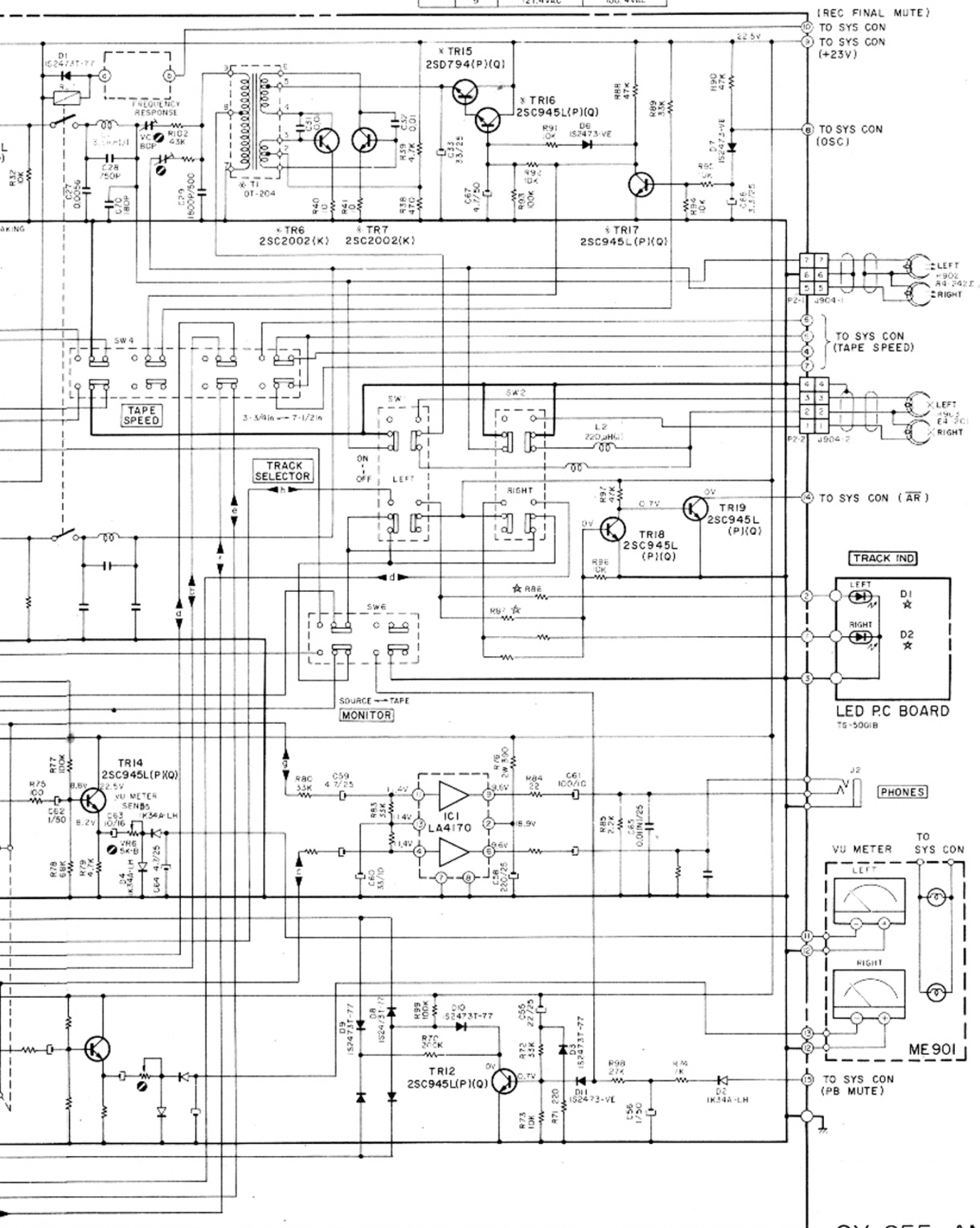
UNLESS OTHERWISE SPECIFIED  
 ALL RESISTORS IN OHMS (1/4W 1%)  
 ALL CAPACITORS IN  $\mu$ F 50V (J)  
 ILLI=LOW LEAKAGE CAPACITOR



\* REC MODE

		7-1/2in	5-1/4in
TR17	B	0.2V	0.2V
	C	19.1V	14.2V
	D	17.3V	14.2V
TR16	E	16.8V	13.8V
	F	0.4V	0.4V
TR6,7	1103	0.6V	0.6V
	4106	16.3V	3.2V
	B	74.3VAC	60.5VAC
	D	121.4VAC	100.4VAC

	R85	D1	D2
JPN, U/T, CSA, CFE, NAL, UK	4.3K	GL-9PR2	GL-9PR2
	1.5K	GL-9PG2	GL-9PG2



GX-255 AMP  
SCHEMATIC DIAGRAM  
NO.2-2 1582213 A